



GENUINE ACCESSORIES

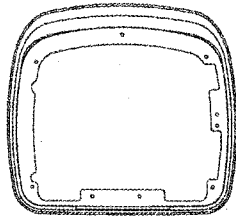
# INSTALLATION INSTRUCTIONS

PART NUMBER:  
0000-8F-L81

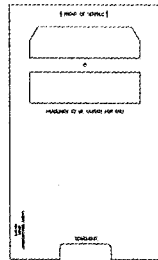
INSTALLATION KIT,  
NON-MOONROOF

APPLICABLE MODELS:  
2012 > MAZDA5  
NON-MOONROOF

## PACKAGE CONTENTS



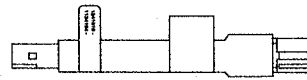
TRIM RING  
0000-8F-L50



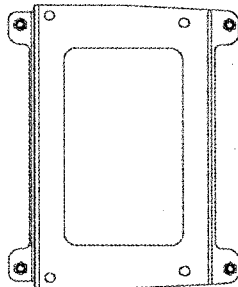
CUTTING TEMPLATE



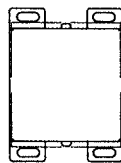
INSTALLATION  
MANUAL



DIODE HARNESS  
0000-8F-L56



DVD MOUNTING  
BRACKET



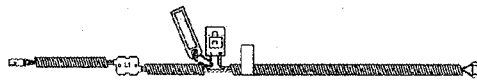
INTERFACE RELAY  
0000-8F-L54



T-HARNESS  
0000-8F-L53



DOMELIGHT HARNESS  
0000-8F-L12



POWER HARNESS 0000-8F-L13

## HARDWARE KIT (MAZDA SERVICE P/N: 0000-8F-Z55A)



TIE WRAP (QTY 18)



CRIMP LOCK  
(QTY 2)



FOAM TAPE STRIPS  
(QTY 12 pcs.)



GROMMET  
P/N: GJ6A-68-155A  
(QTY 2)



CLIP  
P/N: GJ6A-68-162  
(QTY 2)



TRIM RING SCREW SET  
(QTY 1)

SELF TAPPING SCREW #4  
X 5/16 (QTY 1)

SELF TAPPING SCREWS  
#4 X 7/16 (QTY 3)

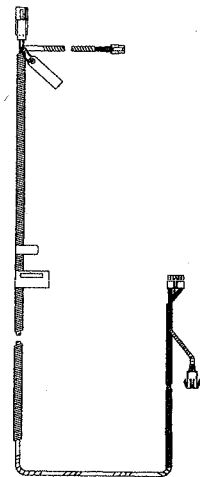
SCREWS ISO 3 X 8MM  
(QTY 5)



DVD ASSEMBLY MOUNTING  
M5 x 20mm SCREWS (QTY 4)



M6 SCREW  
(QTY 4)



DVD MAIN HARNESS 0000-8F-L52

**NOTE:** ILLUSTRATIONS ARE GENERIC  
AND MAY NOT LOOK EXACTLY LIKE THE  
ACTUAL PARTS

0

## BEFORE INSTALLATION

1. ACQUIRE 0000-8F-Z70 MAIN KIT (required with installation kit).
2. SET PARKING BRAKE.
3. CLEAN HANDS & TOOLS.
4. RECORD RADIO & SATELLITE PRESETS. (Refer to table in Section 12)
5. DISCONNECT NEGATIVE BATTERY CABLE.

128-8923

1 of 25

## 1 HEADLINER PREPARATION

- 1.) REMOVE THE HEADLINER PUSH PIN (1) FORWARD OF THE REAR DOMELIGHT (3) ALIGN THE TEMPLATE (2) WITH THE FRONT OF THE REAR DOMELIGHT (3) AND REPLACE THE PUSH PIN (1). USE STRIPS OF MASKING TAPE TO HOLD THE TEMPLATE IN POSITION. CAREFULLY TRACE THE TWO DVD CUTOUT AREAS (4) ON THE HEADLINER. REMOVE ALL TAPE, THE PUSH PIN (1) AND REMOVE THE TEMPLATE (2). (SEE FIGURE 1)

**NOTE:**

MAKE SURE THAT THE TEMPLATE IS SQUARE AROUND THE DOME LIGHT.

FRONT OF VEHICLE

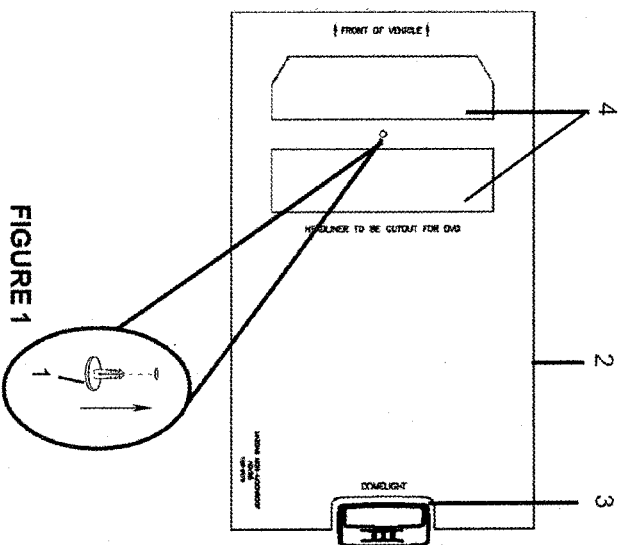


FIGURE 1

- 2.) USING A SHARP UTILITY KNIFE, CAREFULLY CUT THE HEADLINER ALONG THE LINES TRACED ON THE HEADLINER (1) AND REMOVE THE CUTOUT MATERIAL. (SEE FIGURE 2)
- 3.) CUT AND REMOVE THE CENTER RECTANGULAR SECTION (2) AFTER THE CUTOUT MATERIALS HAVE BEEN REMOVED FROM HEADLINER. (SEE FIGURE 2)

**NOTE:**

AFTER REMOVING THE HEADLINER CUTOUT, MAKE SURE TO REMOVE THE TWO REMAINING STRIPS OF THE WHITE COTTON BARRIER MATERIAL ABOVE THE HEADLINER ON EITHER SIDE OF THE CUTOUT.

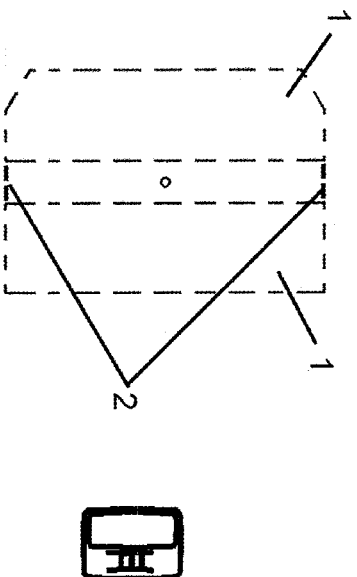


FIGURE 2

## 2 REMOVE VEHICLE COMPONENTS

### SIDE WALL REMOVAL, DRIVER SIDE

- 1.) REMOVE THE FASTENER A. (SEE FIGURE 3)

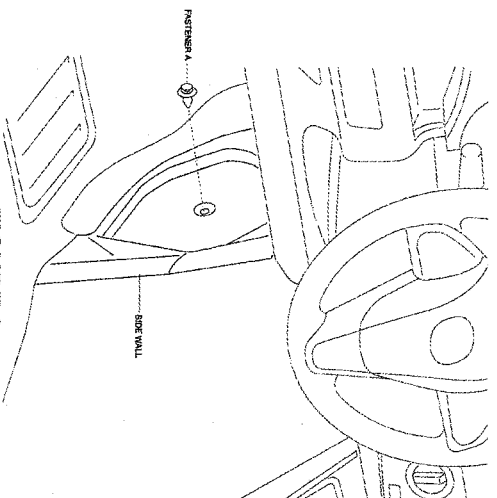


FIGURE 3

## SIDE WALL REMOVAL, DRIVER SIDE (CONTINUED)

- PULL OUT THE SIDE WALL IN THE DIRECTION OF THE ARROW (1) THEN REMOVE THE CLIPS B AND HOOK C. (SEE FIGURE 4)

## CAUTION:

- WHEN REMOVING THE CLIPS A AND HOOK B, BE CAREFUL NOT TO DAMAGE THE GUIDE D.

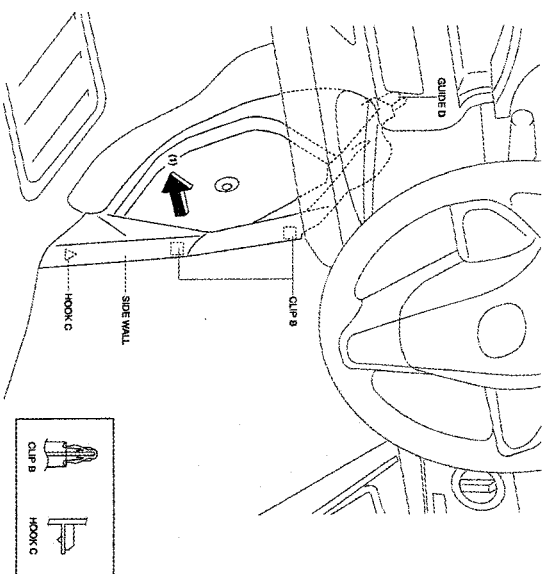


FIGURE 4

- PULL THE SIDE WALL IN THE DIRECTION OF THE ARROW (2) AND THEN REMOVE IT WHILE DETACHING THE GUIDE D. (SEE FIGURE 5)

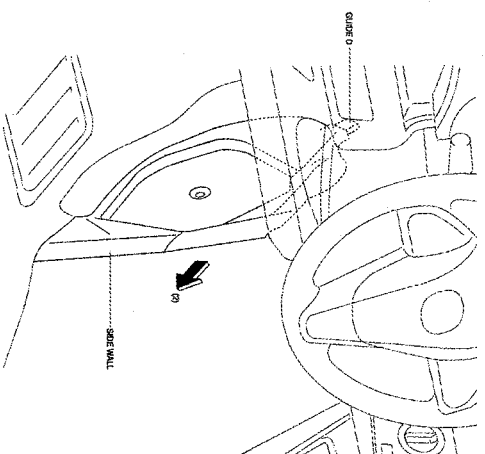


FIGURE 5

## SIDE WALL REMOVAL, PASSENGER SIDE

- PULL OUT THE SIDE WALL IN THE DIRECTION OF THE ARROW (1) THEN REMOVE THE CLIPS A AND HOOK B. (SEE FIGURE 6)

## CAUTION:

- WHEN REMOVING THE CLIPS B AND HOOK C, BE CAREFUL NOT TO DAMAGE THE GUIDE C.

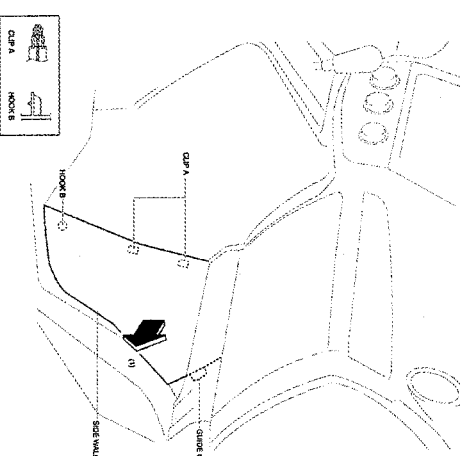


FIGURE 6

## 2 REMOVE VEHICLE COMPONENTS (CONTINUED)

### SIDE WALL REMOVAL, PASSENGER SIDE (CONTINUED)

- 2.) PULL THE SIDE WALL IN THE DIRECTION OF THE ARROW (2) THEN REMOVE IT DETACHING THE GUIDE C. (SEE FIGURE 7)

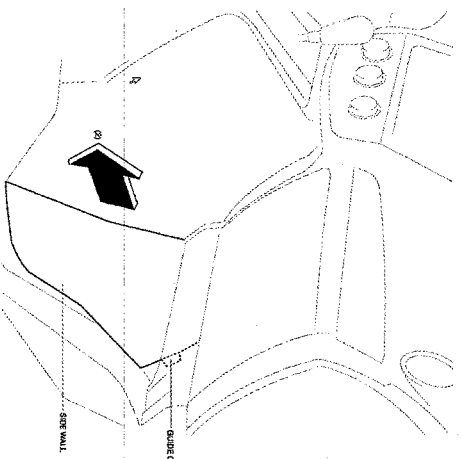


FIGURE 7

### CENTER CONSOLE BOX REMOVAL

- 1.) PULL OUT THE CENTER CONSOLE IN THE DIRECTION OF THE ARROWS (1), (2) AND (3) WHILE DETACHING HOOK A, PIN B AND CLIP C. (SEE FIGURE 8)

**NOTE:**

DISCONNECT THE SEAT SWITCH CONNECTOR IN VEHICLES EQUIPPED WITH A SEAT WARMER.

- 2.) REMOVE THE CENTER CONSOLE BOX. (SEE FIGURE 8)

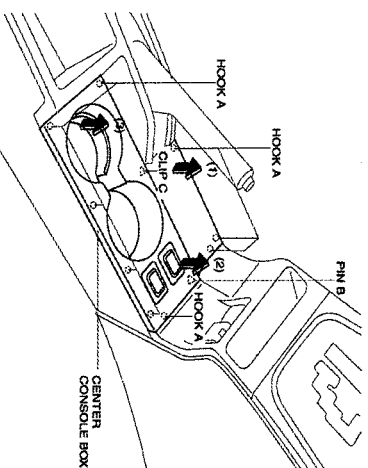
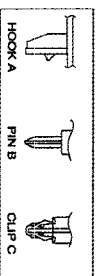


FIGURE 8

### CONSOLE PANEL REMOVAL

- 1.) PULL THE CONSOLE PANEL IN THE DIRECTION OF THE ARROWS (1), (2) AND (3) WHILE DETACHING CLIPS A. (SEE FIGURE 9)
- 2.) DISCONNECT THE CONNECTORS. (SEE FIGURE 9)

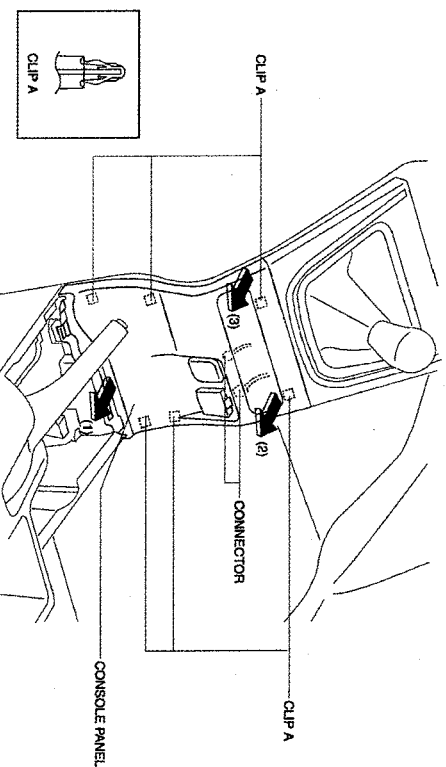


FIGURE 9

## 2 REMOVE VEHICLE COMPONENTS (CONTINUED)

### CENTER CONSOLE REMOVAL

- 1.) REMOVE THE SERVICE HOLE COVERS THEN REMOVE SCREWS A. (SEE FIGURE 10)

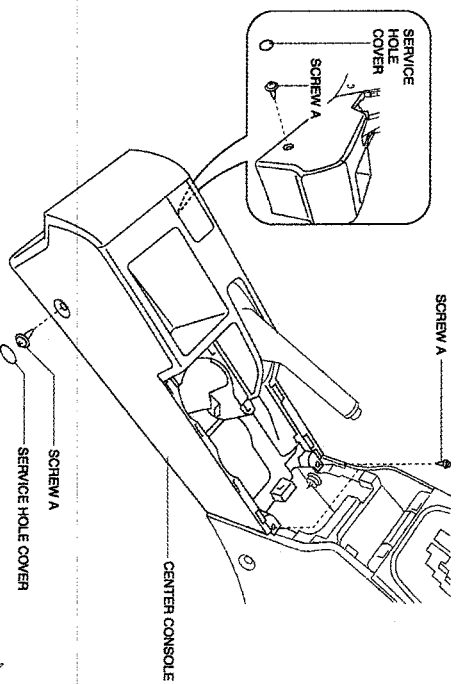


FIGURE 10

- 2.) PULL THE CENTER CONSOLE IN THE DIRECTION OF THE ARROWS (1) AND (2) WHILE REMOVING HOOKS B AND PINS C. (SEE FIGURE 11)
- 3.) DISCONNECT THE REAR FAN SWITCH CONNECTOR.
- 4.) REMOVE THE CENTER CONSOLE.

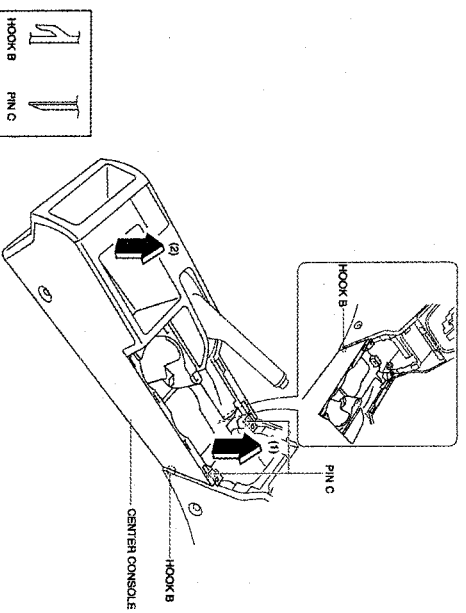


FIGURE 11

### SHIFT PANEL (ATX) REMOVAL

- 1.) PLACE THE SELECTOR LEVER IN THE NEUTRAL POSITION.
- 2.) PULL THE SHIFT PANEL IN THE DIRECTION OF THE ARROWS (1), (2), (3) AND (4) WHILE REMOVING THE CLIPS. (SEE FIGURE 12)
- 3.) REMOVE THE SHIFT PANEL.

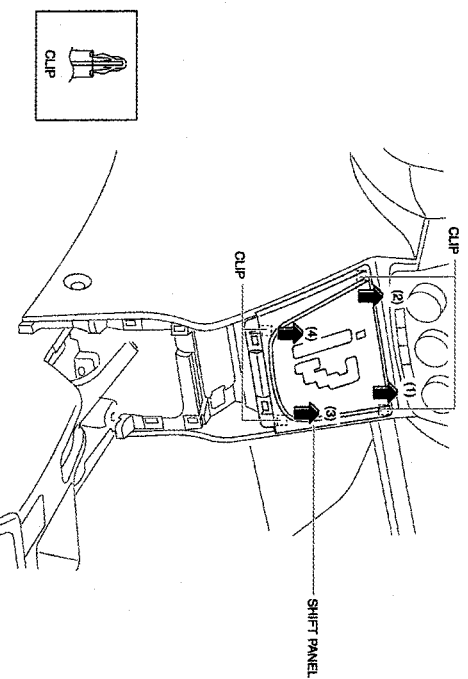


FIGURE 12

## 2 REMOVE VEHICLE COMPONENTS (CONTINUED)

### SHIFT PANEL (MTX) REMOVAL

- 1.) PLACE THE SHIFT LEVER IN THE NEUTRAL POSITION.
- 2.) PULL THE SHIFT PANEL IN THE DIRECTION OF THE ARROWS (1), (2), (3) AND (4) WHILE REMOVING THE CLIPS. (SEE FIGURE 13)
- 3.) REMOVE THE SHIFT PANEL.

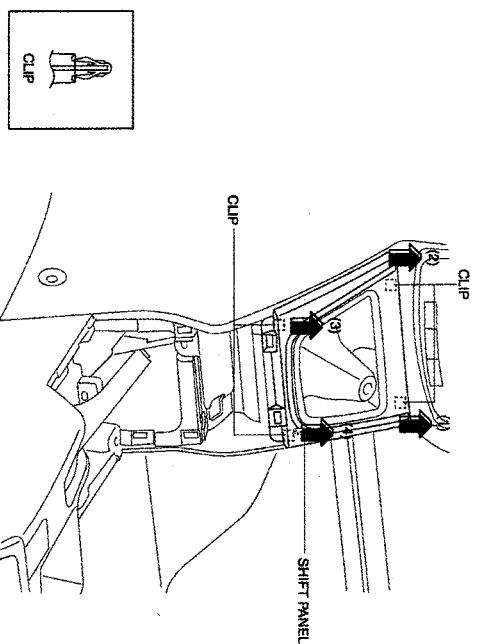


FIGURE 13

### FRONT CONSOLE REMOVAL

#### CAUTION:

WHEN REMOVING THE FRONT CONSOLE, ALWAYS MAKE SURE THAT IT DOES NOT INTERFERE WITH THE HEATER CONTROL UNIT. AFFIX PROTECTIVE TAPE ALONG THE SHADED AREA SHOWN IN THE FIGURE TO PREVENT SCRATCHES AND DAMAGE.

- 1.) REMOVE THE SERVICE HOLE COVERS, THEN REMOVE SCREWS A. (SEE FIGURE 14)

#### NOTE:

FOR A1X VEHICLES REMOVE THE TWO ADDITIONAL SCREWS A IN THE FRONT OF THE CONSOLE.

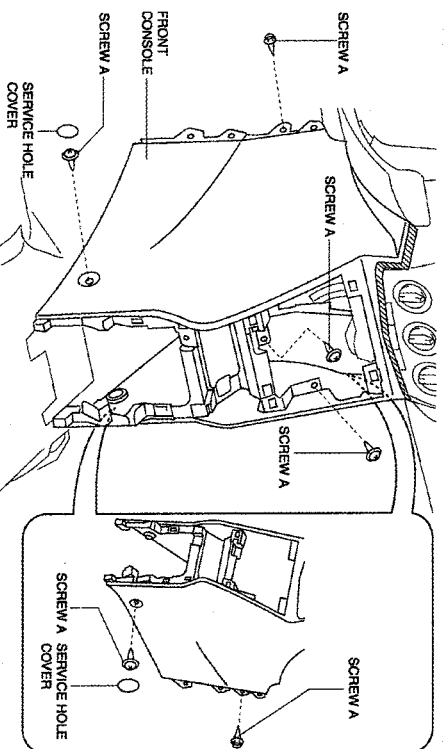


FIGURE 14

- 2.) PULL THE FRONT CONSOLE IN THE IN THE DIRECTION OF THE ARROWS (1), (2), (3) AND (4). REMOVE THE CONSOLE WHILE DETACHING CLIP B. (SEE FIGURE 15)

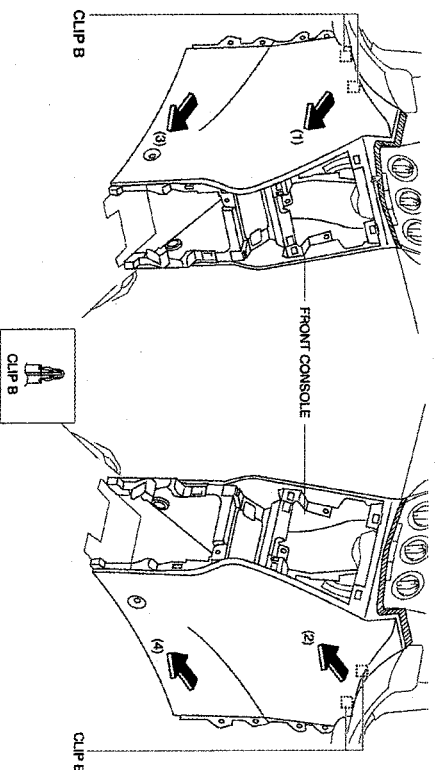


FIGURE 15

## 2 REMOVE VEHICLE COMPONENTS (CONTINUED)

### SIDE PANEL REMOVAL

- 1.) PULL THE SIDE PANEL IN THE DIRECTION OF THE ARROW (1) AND THEN REMOVE THE HOOKS A. (SEE FIGURE 16)

#### CAUTION:

WHEN PULLING OUT THE SIDE PANEL, BE CAREFUL NOT TO DAMAGE TABS B.

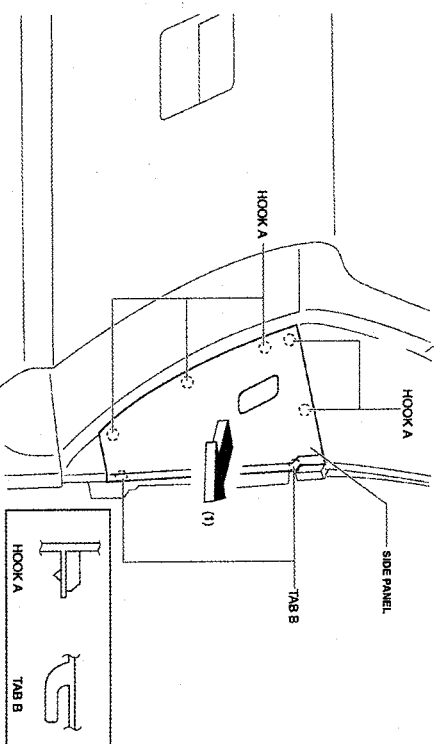


FIGURE 16

- 2.) PULL THE SIDE PANEL IN THE DIRECTION OF ARROW (2) WHILE DETACHING TABS B. (SEE FIGURE 17)

- 3.) REMOVE THE SIDE PANEL.

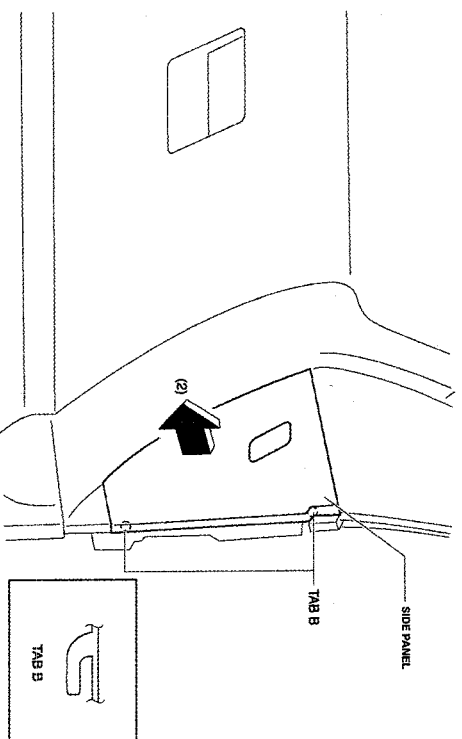


FIGURE 17

### SCUFF PLATES (INNER), DRIVER AND PASSENGER SIDE

- 1.) PULL THE FRONT SCUFF PLATE UPWARD WHILE DETACHING TABS A, DETACH CLIPS B, PINS C AND D FROM THE BODY, AND THEN REMOVE THE INNER FRONT SCUFF PLATE. (SEE FIGURE 18)

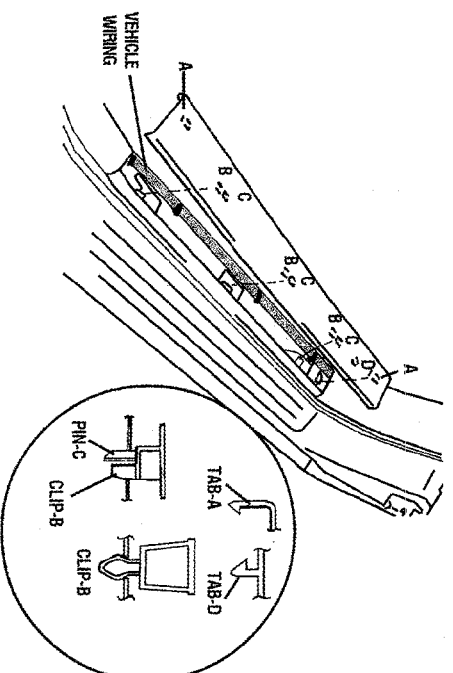


FIGURE 18

## 2 REMOVE VEHICLE COMPONENTS (CONTINUED)

### FRONT PASSENGER SIDE TRIM

- 1.) REMOVE THE FASTENER. (SEE FIGURE 19)
- 2.) PULL THE FRONT SIDE TRIM IN THE DIRECTION SHOWN BY THE ARROW, THEN DETACH CLIP A AND LOCATOR PIN B. (SEE FIGURE 19)
- 3.) REMOVE THE FRONT PASSENGER SIDE TRIM. (SEE FIGURE 19)

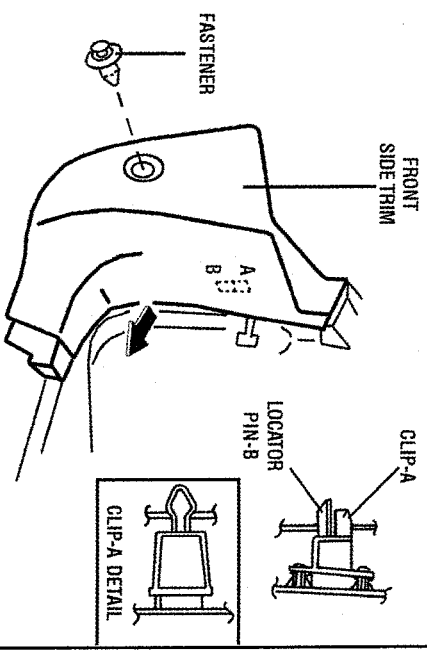


FIGURE 19

### GLOVE COMPARTMENT LID

- 1.) PRESS THE STAY DAMPER IN THE DIRECTION SHOWN BY THE ARROW AND DETACH IT FROM THE GLOVE COMPARTMENT LID. (SEE FIGURE 20)
- 2.) WHILE PRESSING THE STOPPERS IN THE DIRECTION SHOWN BY THE ARROWS, DETACH THE STOPPERS FROM THE GLOVE COMPARTMENT LID. (SEE FIGURE 20)

#### CAUTION:

WHEN RE-INSTALLING THE FRONT PASSENGER SIDE SCUFF PLATE, MAKE SURE THAT THE WIRING HARNESS IS NOT PINCHED. IF THE WIRING HARNESS IS PINCHED, IT MAY CAUSE MALFUNCTIONS.

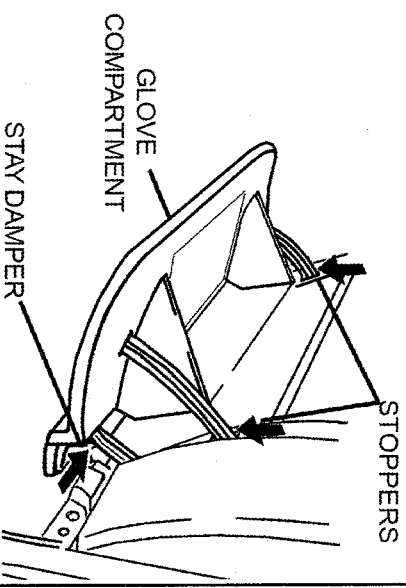


FIGURE 20

- 3.) PULL THE GLOVE COMPARTMENT LID OUTWARD WHILE LOWERING IT TO THE POSITION AS SHOWN THEN DETACH THE CLIP AND REMOVE THE GLOVE COMPARTMENT LID. (SEE FIGURE 21)

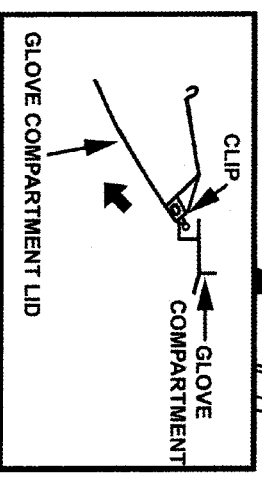


FIGURE 21



## 2 REMOVE VEHICLE COMPONENTS (CONTINUED)

### GLOVE COMPARTMENT LID (CONTINUED)

- 4.) REMOVE THE MOUNTING SCREWS (A) (5 LOCATIONS). (SEE FIGURE 22)
- 5.) PULL THE GLOVE COMPARTMENT OUTWARD AND DETACH CLIPS (B) (5 LOCATIONS). (SEE FIGURE 22)
- 6.) DISCONNECT THE GLOVE COMPARTMENT LIGHT BULB. (VEHICLES WITH GLOVE COMPARTMENT LIGHT BULB ONLY)
- 7.) REMOVE THE GLOVE COMPARTMENT.

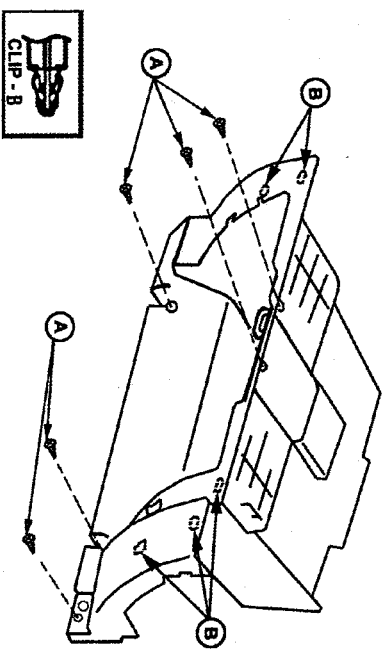


FIGURE 22

### NOTE:

BE EXTREMELY CAREFUL NOT TO DAMAGE THE HEADLINER WHILE PERFORMING THE PROCEDURES BELOW.

### CAUTION:

BEFORE PROCEEDING WITH THE FOLLOWING STEPS, SPREAD A PROTECTIVE CLOTH OVER THE SEAT AND FLOOR AREA BELOW THE SEAMING WELT.

### A-PILLAR TRIM, DRIVER AND PASSENGER SIDE

- 1.) PARTIALLY REMOVE THE WEATHER STRIP NEAR THE A-PILLAR TRIM PANEL.
- 2.) USING A FIBER STICK DISENGAGE THE 3 RETAINING TABS. (SEE FIGURE 23)

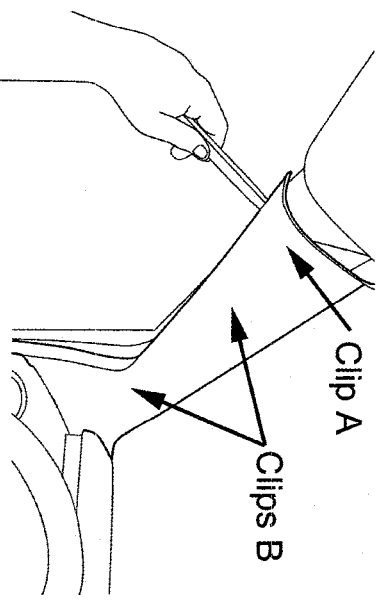


FIGURE 23

- 3.) PULL THE A-PILLAR TRIM IN THE DIRECTION OF THE ARROW (2) AND REMOVE THE A-PILLAR TRIM WHILE DETACHING TAB C. (SEE FIGURE 24)

### CAUTION:

WHILE PULLING OUT THE A-PILLAR TRIM BE CAREFUL NOT TO DAMAGE TAB C.

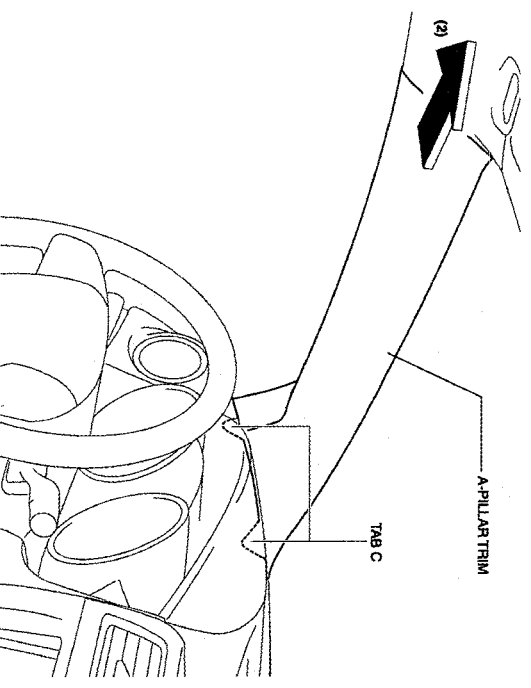


FIGURE 24

## 2 REMOVE VEHICLE COMPONENTS (CONTINUED)

### A-PILLAR TRIM, DRIVER AND PASSENGER SIDE (CONTINUED)

- 3.) REMOVE THE A-PILLAR TRIM PANEL FROM THE VEHICLE.

**NOTE:**

CLIP "A" AND GROMMET "B" MUST BE REPLACED DURING RE-ASSEMBLY, USING THE SUPPLIED "A" PILLAR TRIM CLIP AND GROMMET. IN SOME INSTANCES, CLIP "A" MAY BECOME UNATTACHED FROM THE A-PILLAR TRIM PANEL. REMOVE THE CLIP FROM THE BODY STRUCTURE BY ROTATING COUNTER-CLOCKWISE 45° WHILE PULLING OUTWARD. REMOVE THE GROMMET BY INSERTING A FLAT HEAD SCREW DRIVER BETWEEN THE BODY AND THE GROMMET. DISENGAGE THE TABS AND REMOVE THE GROMMET. (SEE FIGURE 25)

CLIP P/N: GJ6A-68-162  
GROMMET P/N: GJ6A-68-155A

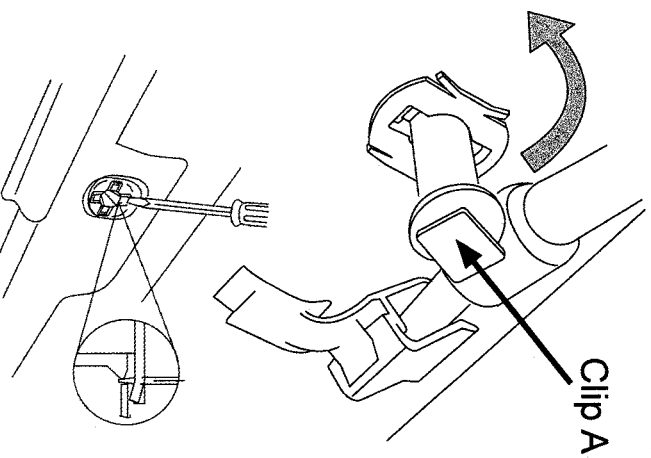


FIGURE 25

### SUNVISOR REMOVAL, DRIVER AND PASSENGER SIDE

- 1.) REMOVE THE SCREW. (SEE FIGURE 26)
- 2.) UNHOOK AND REMOVE THE SUNVISOR. (SEE FIGURE 26)

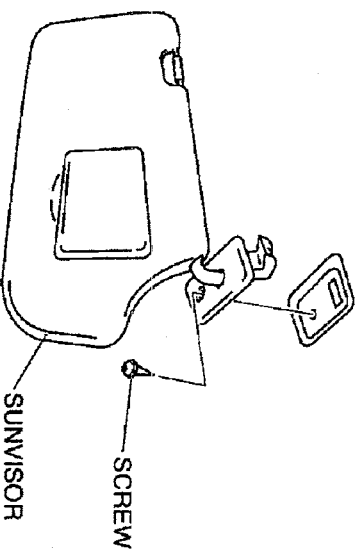


FIGURE 26

- 3.) PRESS THE SUNVISOR CENTER ADAPTER TABS AS SHOWN USING TWO FIBER STICKS, AND REMOVE THE CENTER ADAPTER. (SEE FIGURE 27)

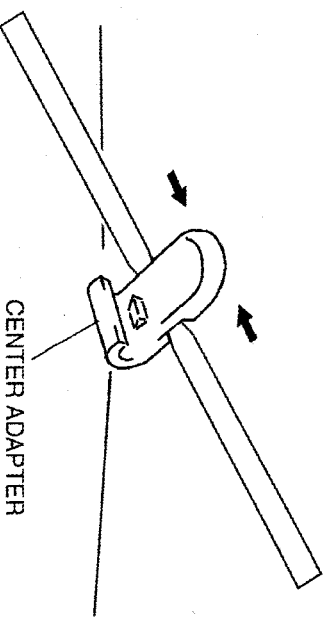


FIGURE 27

## 2 REMOVE VEHICLE COMPONENTS (CONTINUED)

### FRONT MAP LIGHT

- 1.) INSERT A FIBER STICK INTO THE GAP BETWEEN THE HEADLINER AND THE MAP LIGHT. (SEE FIGURE 28)
- 2.) PRESS THE TABS AND REMOVE THE MAP LIGHT. (SEE FIGURE 28)

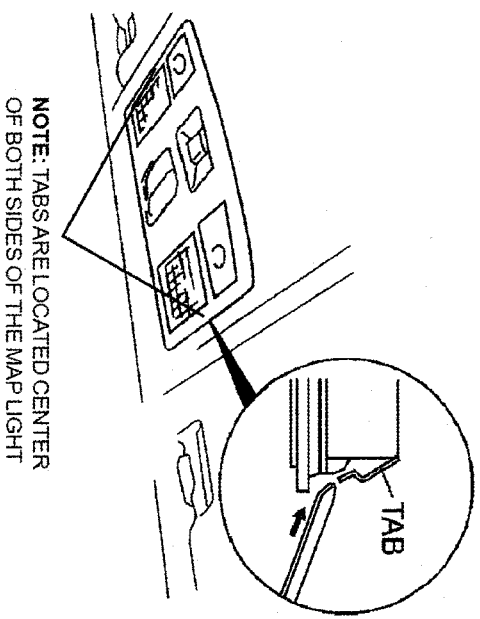


FIGURE 28

- 3.) DISCONNECT THE MAP LIGHT CONNECTOR. (SEE FIGURE 29)

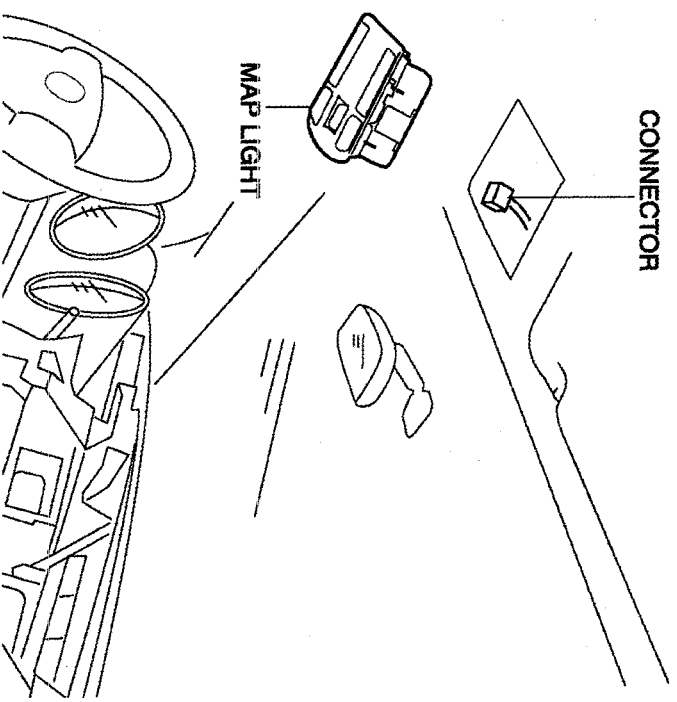


FIGURE 29

### FRONT AND REAR ASSIST HANDLES, DRIVER AND PASSENGER SIDE

- 1.) INSERT A SMALL FLAT TIP SCREWDRIVER INTO THE ASSIST HANDLE NOTCH AND GENTLY PRY TO REMOVE THE TWO ASSIST HANDLE COVERS. (SEE FIGURE 30)

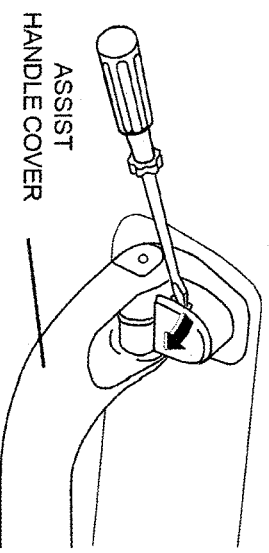


FIGURE 30

## 2 REMOVE VEHICLE COMPONENTS (CONTINUED)

### FRONT AND REAR ASSIST HANDLES, DRIVER AND PASSENGER SIDE (CONTINUED)

- 2.) REMOVE THE ASSIST HANDLE BY PULLING OUTWARD. (SEE FIGURE 31)

**WARNING:**

THE SIDE AIR BAG SENSOR IS ATTACHED TO THE LOWER PART OF THE B-PILLAR. WHEN WORKING AROUND THE B-PILLAR, AVOID EXCESSIVE IMPACT TO THE LOWER PART OF THE B-PILLAR.

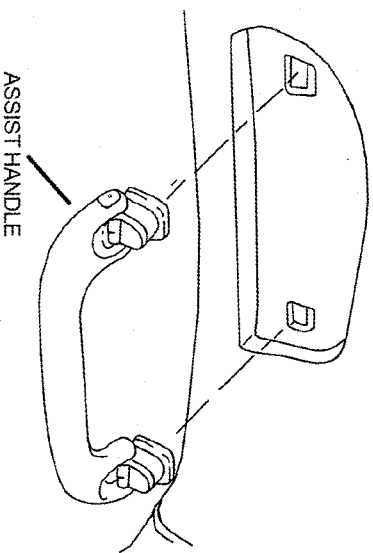


FIGURE 31

### REAR DOOR SCUFF PLATES, DRIVER AND PASSENGER SIDE

- 1.) DETACH TABS A WHILE PULLING THE REAR SCUFF PLATE IN THE DIRECTION OF ARROW (1). DETACH PINS B, CLIPS C, PINS D WHILE PULLING IN THE DIRECTION OF ARROW (2). (SEE FIGURE 32)

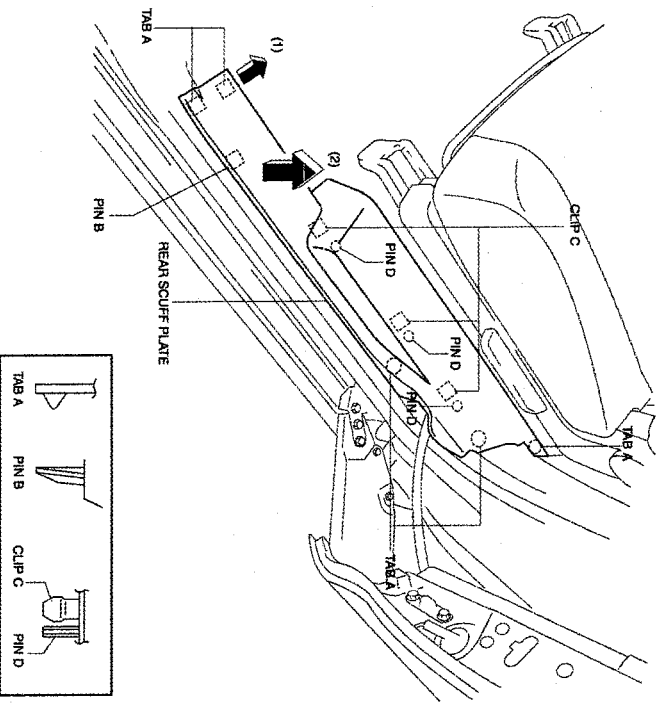


FIGURE 32

## 2 REMOVE VEHICLE COMPONENTS (CONTINUED)

### CAUTION:

BEFORE PROCEEDING WITH THE FOLLOWING STEPS, SPREAD A PROTECTIVE CLOTH OVER THE SEAT AND FLOOR AREA.

### B-PILLAR LOWER TRIMS, DRIVER AND PASSENGER SIDE

- 1.) PARTIALLY PEEL BACK THE SEAMING WELT.
- 2.) PULL THE B-PILLAR LOWER TRIM IN THE DIRECTION OF ARROW (1) AND (2). DETACH TABS A, CLIPS B AND PINS C. (SEE FIGURE 33)
- 3.) REMOVE THE B-PILLAR LOWER TRIM. (SEE FIGURE 33)

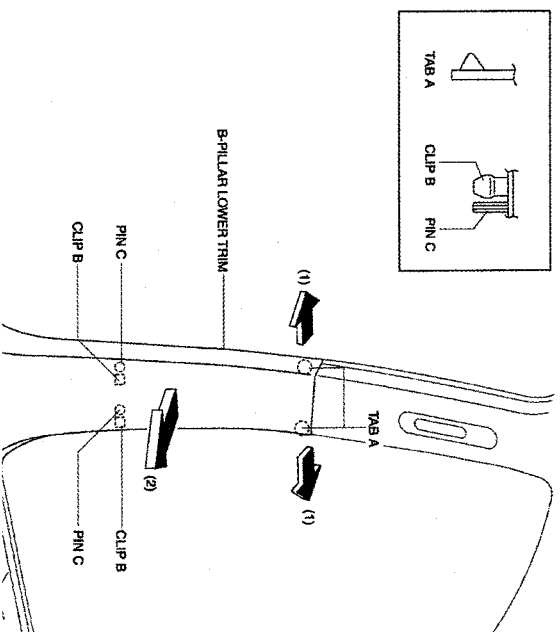


FIGURE 33

### B-PILLAR SEAT BELT ADJUSTER ANCHORS, DRIVER AND PASSENGER SIDE

### CAUTION:

THE ELR (EMERGENCY LOCKING RETRACTOR) HAS A SPRING THAT WILL UNWIND IF THE RETRACTOR COVER IS REMOVED. THE SPRING CANNOT BE REMOUND BY HAND. IF THIS OCCURS, THE ELR WILL NOT WORK PROPERLY. THEREFORE, DO NOT DISASSEMBLE THE RETRACTOR.

- 1.) USE A FIBER STICK TO REMOVE THE BOLT COVER. THERE ARE THREE TABS SECURING THE BOLT COVER IN PLACE. (SEE FIGURE 34 AND SEC. A-A)
- 2.) REMOVE THE BOLT THEN REMOVE THE FRONT SEAT BELT FROM B-PILLAR. (SEE FIGURE 33)

NOTE: WHEN REINSTALLING THE BOLT REFER TO TORQUE VALUES:  
38.3 - 78.4 N·m (3.9 - 8 kg·m 28.3 - 57.8 FT-LBS)

### CAUTION:

BEFORE PROCEEDING WITH THE FOLLOWING STEPS, SPREAD A PROTECTIVE CLOTH OVER THE SEAT AND FLOOR AREA.

### B-PILLAR UPPER TRIM, DRIVER AND PASSENGER SIDE

- 1.) PARTIALLY PEEL BACK THE SEAMING WELT.
- 2.) PULL THE B-PILLAR UPPER TRIM OUTWARD AND DETACH CLIPS A AND LOCATOR PIN B. (SEE FIGURE 35)
- 3.) DETACH THE TAB FROM THE BODY AND REMOVE THE B-PILLAR UPPER TRIM. (SEE FIGURE 35)

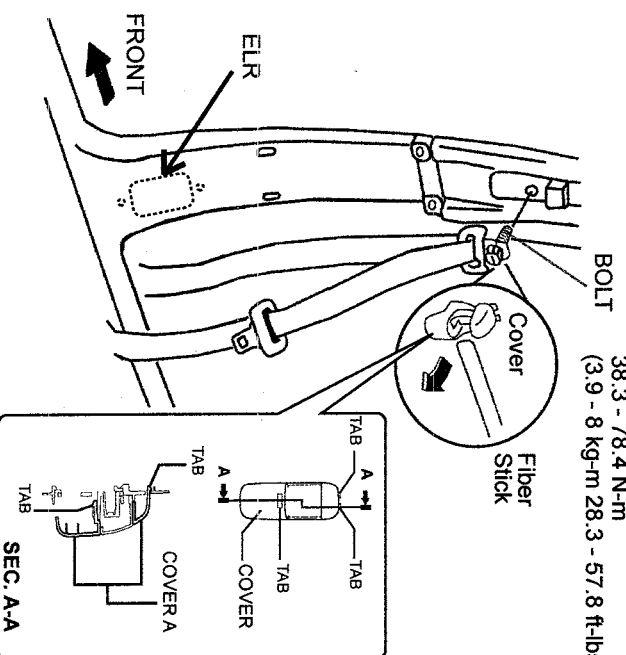


FIGURE 34

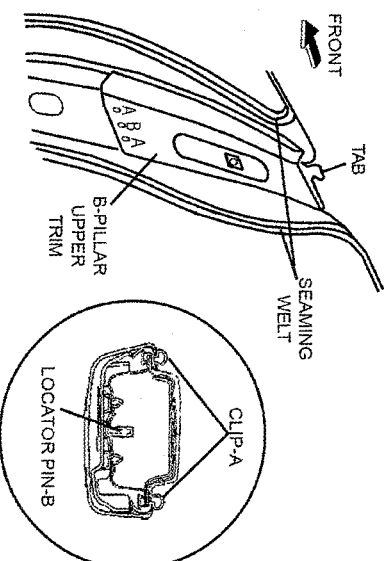


FIGURE 35

### 3 ROUTE THE DVD MAIN WIRING HARNESS

**NOTE:**

REFER TO SYSTEM HEADLINER WIRING OVERVIEW (FIGURE 36) FOR THE FOLLOWING WIRE ROUTING PROCEDURES.

**WARNING:** KEEP CLEAR OF THE SIDE AIR BAG CURTAIN AND AVOID EXCESSIVE IMPACT.

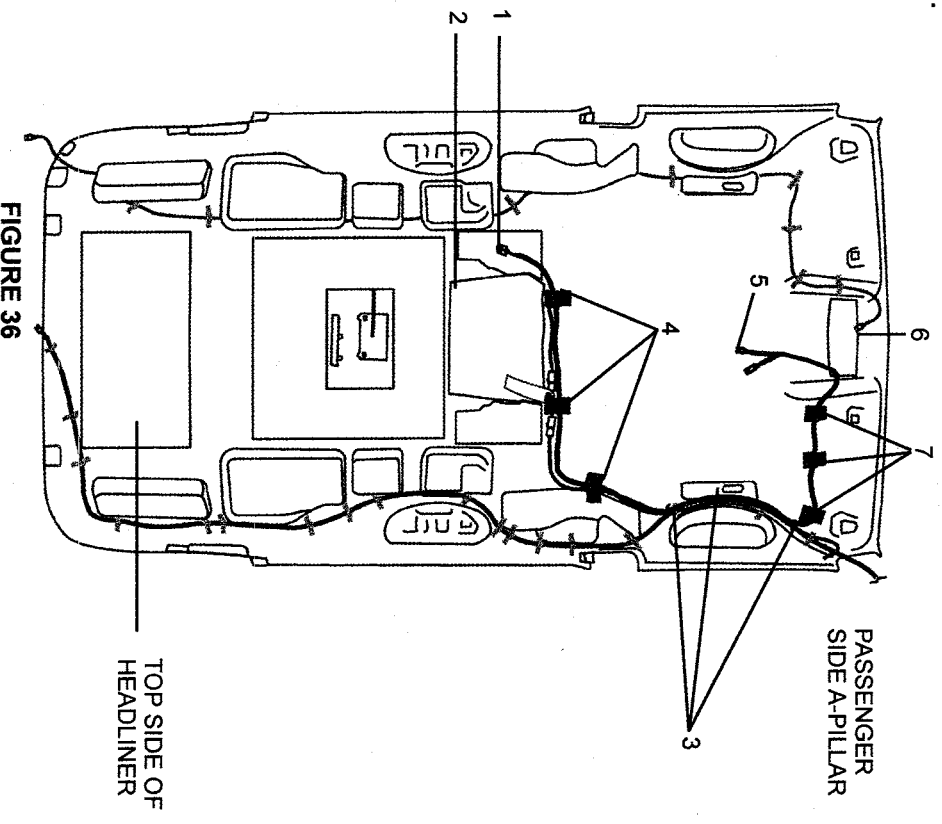
- 1.) CONNECT THE DOME LIGHT HARNESS CONNECTOR TO THE 3-PIN CONNECTOR ON THE DVD MAIN HARNESS. WRAP THE DOME LIGHT HARNESS CONNECTORS WITH ONE PIECE OF FOAM TAPE.
- 2.) WRAP ONE PIECE OF FOAM TAPE AROUND THE CHRISTMAS TREE CABLE THE LOCATED APPROXIMATELY 6" FROM THE DVD MAIN HARNESS MAIN CONNECTOR TO PREVENT ANY RATTLE ISSUES.
- 3.) ROUTE THE DVD MAIN HARNESS AND DOME LIGHT HARNESS (1) FROM THE DVD MOUNTING LOCATION CUT OUT (2) IN THE HEADLINER TOWARDS THE PASSENGER SIDE B-PILLAR. (SEE FIGURE 36)
- 4.) SECURE THE HARNESS TO THE HEADLINER USING THREE PIECES OF FOAM TAPE (4).
- 5.) CONTINUE ROUTING THE HARNESS TOWARDS THE A-PILLAR AND SECURE TO THE EXISTING HARNESSES USING THREE TIE WRAPS (3).
- 6.) ROUTE THE DOME LIGHT HARNESS (5) FROM THE TOP OF THE PASSENGER SIDE A-PILLAR AREA TO THE FRONT DOME LIGHT OPENING (6) AND SECURE USING THREE STRIPS OF FOAM TAPE (7).

**NOTE:**

WHILE SECURING THE HARNESS WITH FOAM STRIPS ENSURE HARNESS IS FLAT AS POSSIBLE TO PREVENT BULGING OF HEADLINER.

**NOTE:**

BE EXTREMELY CAREFUL NOT TO DAMAGE THE HEADLINER WHILE ROUTING THE WIRING HARNESSES AND WHILE TAPING THE HARNESSES DOWN.



### 3 ROUTE THE DVD MAIN WIRING HARNESS (CONTINUED)

- 7.) CONTINUE ROUTING THE DVD MAIN WIRING HARNESS FROM THE TOP OF THE A-PILLAR (1) DOWN TO THE GLOVE BOX AREA AND SECURE USING THREE PIECES OF FOAM TAPE (2). (SEE FIGURE 37)

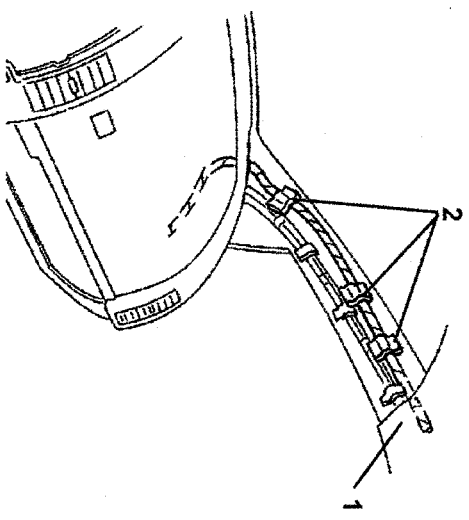


FIGURE 37

- 8.) CONNECT THE FEMALE CONNECTOR ON THE DVD DOME LIGHT HARNESS (1) TO THE MALE CONNECTOR ON THE VEHICLE MAP LIGHT HARNESS (2) AND CONNECT THE MALE DVD DOME LIGHT CONNECTOR TO THE VEHICLE MAP LIGHT. (SEE FIGURE 38)

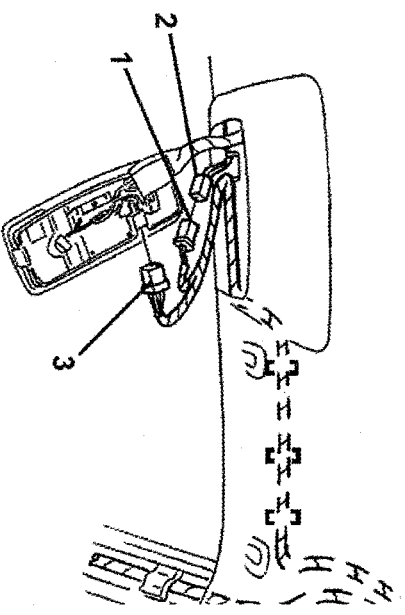


FIGURE 38

- 9.) BEING CAREFUL OF SHARP METAL, ROUTE THE REMAINING HARNESS THROUGH THE BOTTOM OF THE A-PILLAR, THROUGH THE GLOVE BOX OPENING AND INTO THE RADIO OPENING. SECURE THE HARNESS USING FOUR THE WRAPS (1) IN THE LOCATIONS INDICATED. (SEE FIGURE 39)

**NOTE:**  
ROUTE THE HARNESS CLEAR OF ANY EXPOSED HVAC MODE DOOR LEVERS AND ACTUATORS.

**NOTE:**  
BE SURE TO TRIM ALL TIE WRAPS.

- 10.) CONNECT THE DIODE HARNESS TWO PIN CONNECTOR TO THE TWO PIN CONNECTOR ON THE MAIN HARNESS. CONNECT THE POWER HARNESS TWO PIN CONNECTOR TO THE TWO PIN CONNECTOR ON THE DIODE HARNESS.

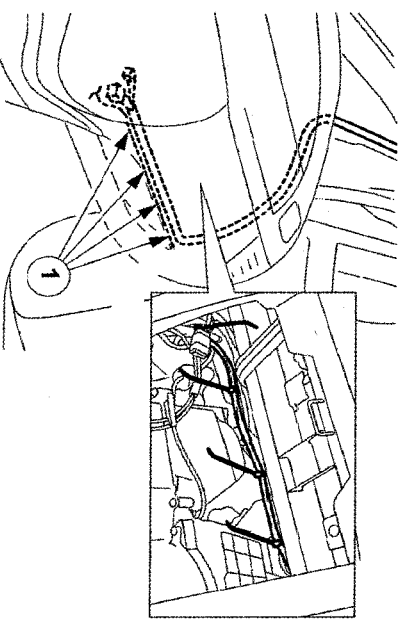
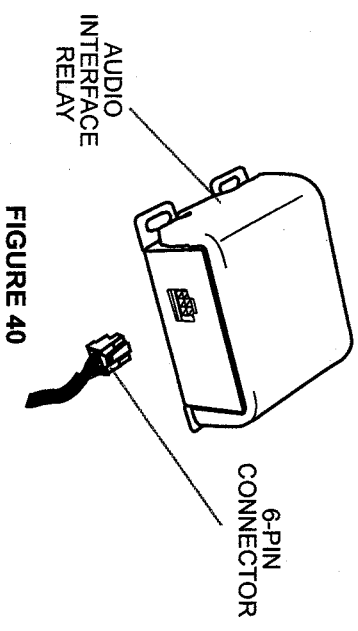


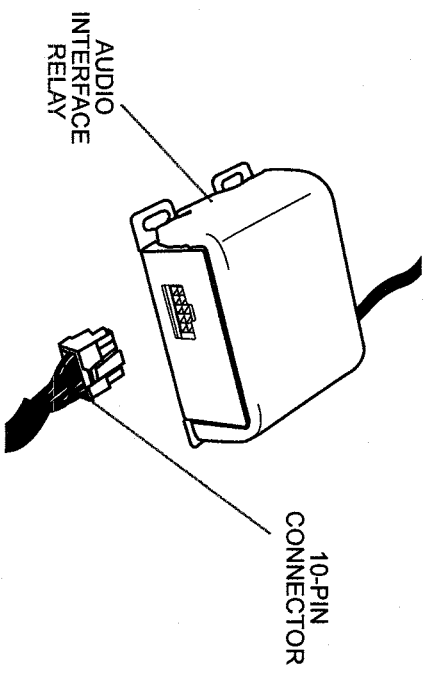
FIGURE 39

## 4 INSTALLING THE AUDIO INTERFACE RELAY

- 1.) CONNECT THE 6 PIN CONNECTOR ON THE DVD MAIN HARNESS TO THE 6 PIN CONNECTOR ON THE AUDIO INTERFACE RELAY. (SEE FIGURE 40)
- 2.) CONNECT THE 10 PIN CONNECTOR ON THE T-HARNESS TO THE 10 PIN CONNECTOR ON THE AUDIO INTERFACE RELAY. (SEE FIGURE 41)

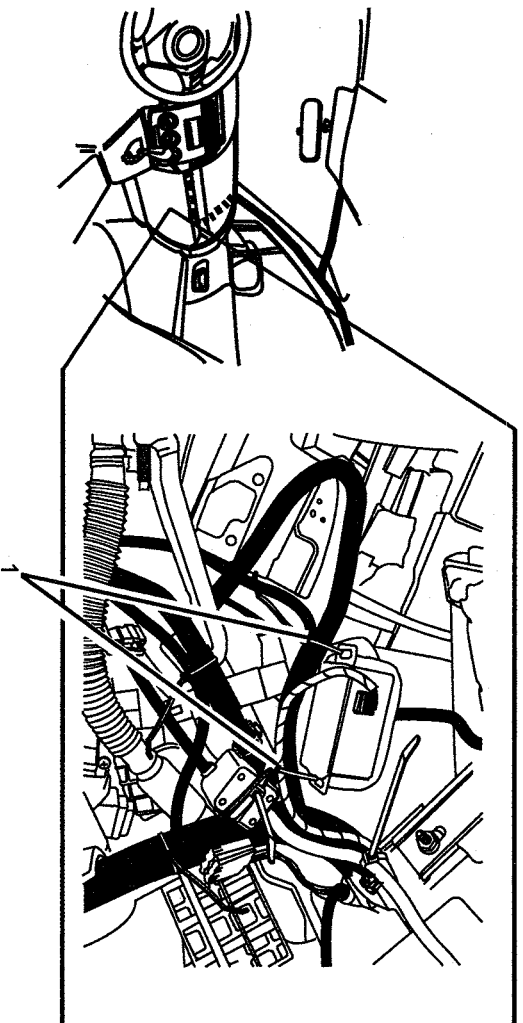


- 3.) SECURE THE AUDIO INTERFACE RELAY IN THE GLOVE BOX AREA USING 2 WIRE TIES (1). (SEE FIGURE 42)
- 4.) ROUTE THE T-HARNESS TO THE CENTER CONSOLE AREA.



### NOTE:

- ROUTE THE HARNESS CLEAR OF ANY EXPOSED HVAC MODE DOOR LEVERS AND AC-TUATORS.
- KEEP CLEAR AND DO NOT ATTACH TO ANY YELLOW AIR BAG HARNESS.
- BE SURE TO TRIM ALL THE WRAPS.





## MAKING POWER HARNESS AND AUX T-HARNESS CONNECTIONS

- 1.) USING PLIERS, ATTACH ONE SUPPLIED 3M CRIMP LOCK TO THE 12 VDC POWER SOURCE BLUE/BLACK WIRE AND ANOTHER ONE TO THE BLACK WIRE APPROXIMATELY 10 TO 20 MM FROM THE HARNESS BREAKOUT. PLACING THE 3M CRIMPS IN THIS LOCATION WILL FACILITATE RE-ASSEMBLY. (SEE FIGURES 43 AND 44 )

**NOTE:**

BE SURE THE 3M CRIMP LOCK IS PROPERLY AND SECURELY INSTALLED.

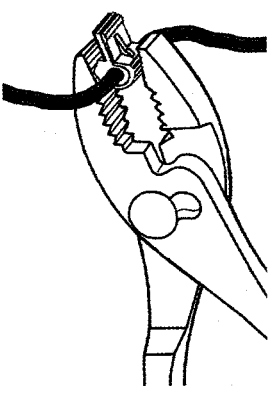


FIGURE 43

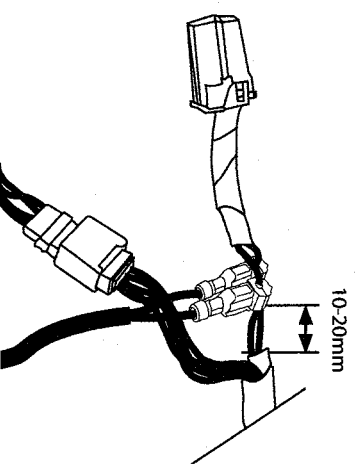


FIGURE 44

- 2.) CONNECT THE POWER HARNESS RED WIRE TO THE 3M CRIMP LOCK ON THE VEHICLE BLUE/BLACK WIRE. ATTACH THE BLACK WIRE TO THE 3M CRIMP LOCK ON THE VEHICLE BLACK WIRE. (SEE FIGURE 45 )
- 3.) CONNECT THE FEMALE CONNECTOR ON THE AUDIO T-HARNESS TO THE VEHICLE'S AUX INPUT CONNECTOR. CONNECT THE MALE CONNECTOR ON THE AUDIO T-HARNESS TO THE VEHICLE AUX ASSEMBLY.
- 4.) SECURE THE POWER HARNESS TO THE VEHICLE AUDIO HARNESS USING FOUR TIE WRAPS (1). (SEE FIGURE 45 )
- 5.) REINSTALL THE CIGARETTE LIGHTER CONNECTOR TO FRONT CONSOLE.

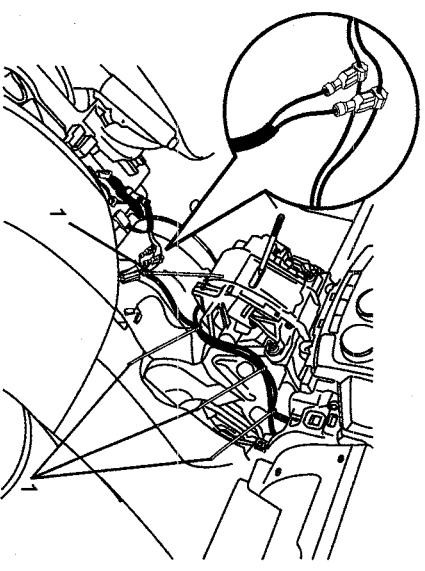


FIGURE 45

- 6.) LOOP THE EXCESS DVD MAIN HARNESS IN THE GLOVE BOX AREA. (AS SHOWN IN FIGURE 46) SECURE THE HARNESS USING 6 TIE WRAPS IN THE LOCATIONS INDICATED (1).

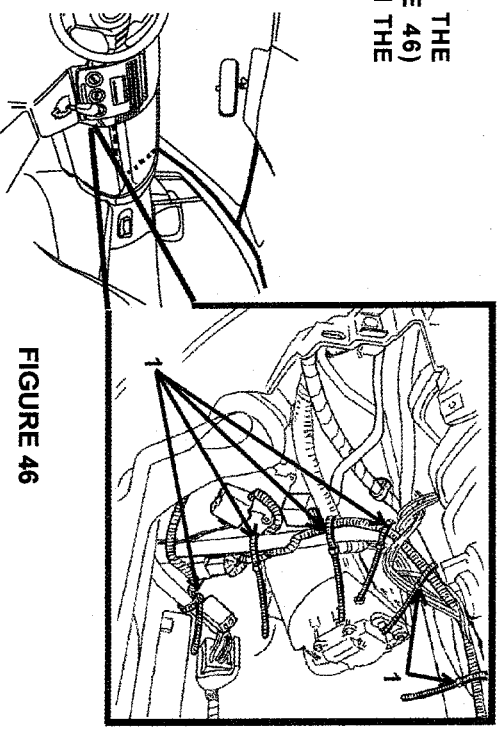


FIGURE 46

## 6 INSTALL THE DVD ASSEMBLY BRACKET

- 1.) PRESS THE DVD BRACKET (1) UPWARD AND USE FOUR M6 SCREWS (2) AND LOCITE TO FASTEN THE BRACKET SECURELY TO THE ROOF BOW (3). (SEE FIGURE 47)

**NOTE:**

TIGHTEN SELF DRILLING SCREWS TO  $4.6 \pm 0.10 \text{ N}\cdot\text{m}$

**CAUTION:**

OVER TIGHTENED SCREWS WILL CAUSE THREADS TO STRIP, DO NOT OVER TORQUE!

(  $4.6 \pm 0.10 \text{ N}\cdot\text{m}$  )

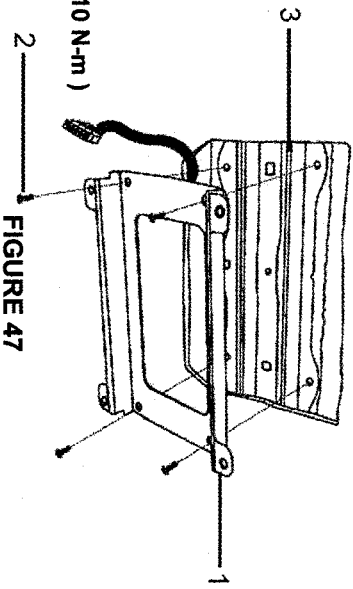


FIGURE 47

## 7 ATTACH THE TRIM RING TO THE DVD ASSEMBLY

- 1.) ON THE DVD ASSEMBLY, USING A SCREWDRIVER, REMOVE THE SCREWS LOCATED IN THE B LOCATIONS SHOWN IN THE FIGURE BELOW. THE SCREWS CAN BE DISCARDED AS NEW ONES ARE SUPPLIED IN THE HARDWARE KIT.
- 2.) ATTACH THE DVD ASSEMBLY TO THE TRIM RING USING A SCREWDRIVER AND THE 9 TRIM RING SCREWS. (SEE FIGURE 48)

**NOTE:** TIGHTEN TRIM RING SCREWS TO  $0.28 \text{ N}\cdot\text{m} \pm 0.10 \text{ N}\cdot\text{m}$ .

**CAUTION:** OVER TIGHTENED SCREWS WILL CAUSE THREADS TO STRIP, DO NOT OVER TORQUE!  
USE THE SUPPLIED SCREWS LISTED BELOW TO INSTALL THE TRIM RING TO THE DVD ASSEMBLY.

- A) #4 X 5/16 SELF TAPPING SCREW (QTY 1)
- B) #4 X 7/16 SELF TAPPING SCREWS (QTY 3)
- C) SCREWS ISO 3 X 8MM (QTY 5)

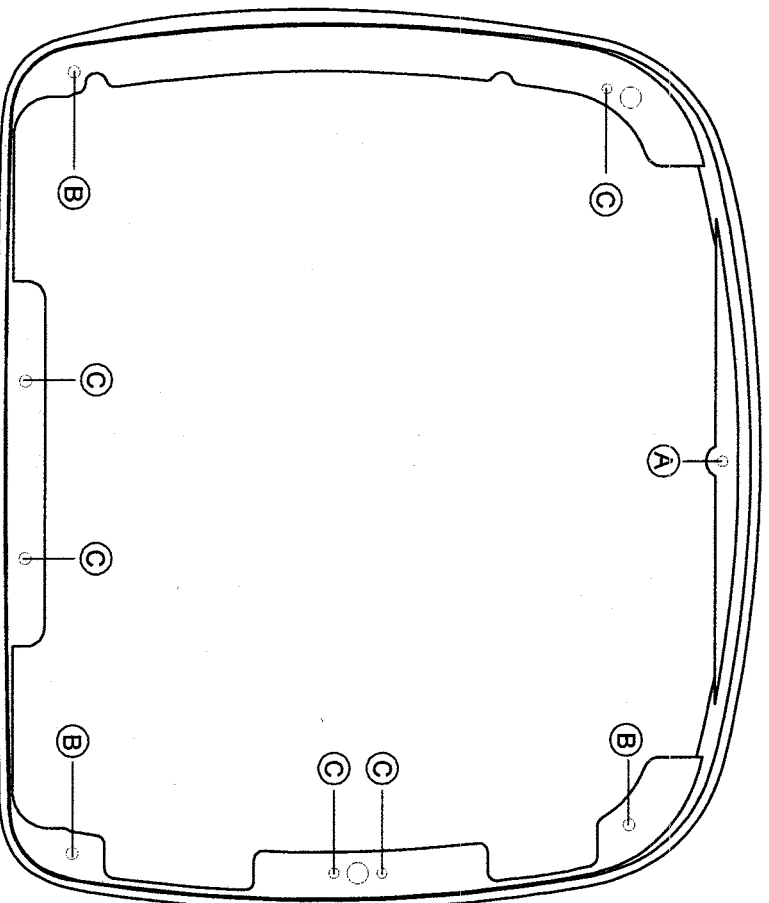


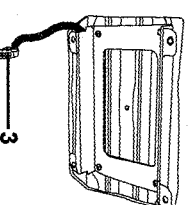
FIGURE 48

## 8 MOUNT THE DVD ASSEMBLY TO THE MOUNTING BRACKET

- 1.) USE TWO STRIPS OF FOAM TAPE (1) TO HOLD THE ANTENNA WIRE (2) IN PLACE. (SEE FIGURE 49)
- 2.) CONNECT THE DVD MAIN HARNESS CONNECTOR (3) TO THE DVD ASSEMBLY CONNECTOR (4). (SEE FIGURE 49)
- 3.) MOUNT THE DVD ASSEMBLY TO THE BRACKET USING A PHILLIPS SCREWDRIVER AND THE FOUR DVD ASSEMBLY MOUNTING SCREWS (5). (SEE FIGURE 49)

**NOTE:**

TIGHTEN MOUNTING SCREWS TO 2.3 N·m ± 0.20 N·m.



3

**NOTE:**  
BE CAREFUL NOT TO TRAP THE HARNESS BETWEEN THE DVD ASSEMBLY AND THE MOUNTING BRACKET.

**CAUTION:**  
OVER TIGHTENED SCREWS WILL CAUSE THREADS TO STRIP AND OR CAUSE DAMAGE TO THE DVD ASSEMBLY, DO NOT OVER TORQUE!

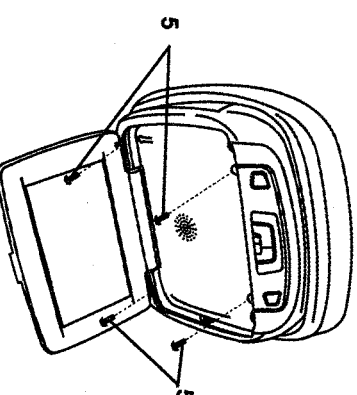
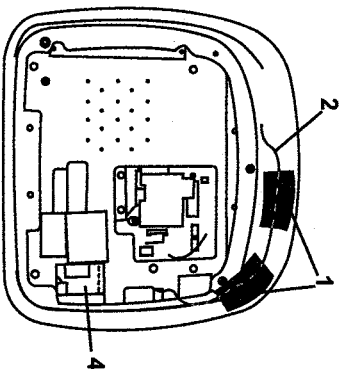


FIGURE 49

## 9 TESTING THE SYSTEM

- 1.) RECONNECT THE NEGATIVE BATTERY CABLE.
  - 2.) THE REMOTE CONTROL HAS A BATTERY INSTALLED WITH A PULL TAB TO PREVENT BATTERY DISCHARGE. REMOVE THE PULL TAB BEFORE USING. INSTALL 2 BATTERIES INTO EACH OF THE HEADPHONES.
  - 3.) TURN THE IGNITION SWITCH TO THE ACC OR ON POSITION AND VERIFY THAT THE POWER BUTTON ILLUMINATES RED.
  - 4.) TURN THE VEHICLE RADIO ON.
  - 5.) PRESS THE [POWER] BUTTON ON THE DVD PLAYER. VERIFY THAT THE BACKLIGHTING ILLUMINATES AND THE POWER BUTTON IS NO LONGER ILLUMINATED.
  - 6.) INSERT A DVD INTO THE DVD PLAYER AND VERIFY THAT THE DVD STARTS ROTATING.
  - 7.) PRESS THE [PLAY] BUTTON ON THE DVD PLAYER. VERIFY THAT DVD VIDEO IS DISPLAYED ON THE SCREEN.
  - 8.) PRESS THE AUX BUTTON ON THE VEHICLE RADIO. VERIFY THAT AUDIO FROM THE DVD CAN BE HEARD THROUGH THE VEHICLE SPEAKERS.
  - 9.) PRESS THE FMM ON/OFF BUTTON ON THE REMOTE CONTROL AND VERIFY THAT THE LCD PANEL DISPLAYS FMM OFF.
  - 10.) ON THE HEADPHONES, PRESS AND RELEASE THE "POWER" BUTTON TO TURN THE HEADPHONES ON.
  - 11.) LISTEN TO THE DVD THROUGH THE HEADPHONES.
  - 12.) PRESS THE [STOP] BUTTON ON THE DVD PLAYER AND VERIFY THAT THE DVD STOPS PLAYING.
  - 13.) CHECK THE DVD DOME LIGHT OPERATION.
    - VERIFY THE LIGHTS REMAIN OFF AT ALL TIMES WHEN THE DVD DOME LIGHT SWITCH IS IN THE OFF POSITION.
    - VERIFY THE LIGHTS REMAIN ON AT ALL TIMES WHEN THE DVD DOME LIGHT SWITCH IS IN THE ON POSITION.
    - VERIFY THE LIGHTS REMAIN ON ONLY WHEN THE INTERIOR LIGHTS ARE ON WHEN THE SWITCH IS IN THE AUTO POSITION.
- NOTE:** DO NOT LEAVE THE VEHICLE UNATTENDED WITH THE DOME LIGHT SWITCH IN THE ON POSITION, AS THIS COULD RESULT IN A DISCHARGED BATTERY.

## 10 INSTALLATION OF REMOVED COMPONENTS

- 1.) TRIM EXCESS OFF ALL THE WRAPS.
- 2.) REINSTALL IN REVERSE ORDER ALL TRIM PIECES REMOVED DURING INSTALLATION.
- 3.) PLACE USER GUIDE IN VEHICLE GLOVE BOX.
- 4.) REPROGRAM RADIO PRESETS.
- 5.) VERIFY EACH REINSTALLED COMPONENT FOR PROPER FIT AND FUNCTION.
- 6.) USING RUBBING ALCOHOL, REMOVE FINGERPRINTS, SMUDGES, DIRT, ETC. FROM DVD PLAYER.

## 11 REINSTALLATION OF VEHICLE PARTS

### CAUTION:

WHEN THE NEGATIVE BATTERY CABLE IS CONNECTED DURING OPERATION, IT MAY CAUSE ELECTRIC SHOCK OR OTHER PERSONAL INJURIES. DISCONNECT THE NEGATIVE BATTERY CABLE BEFORE REMOVAL / INSTALLATION.

1. INSTALL ALL VEHICLE COMPONENTS IN THE REVERSE ORDER OF "SECTION 2. REMOVE VEHICLE COMPONENTS".

### CAUTION:

AFTER INSTALLING THE VEHICLE PARTS, CHECK FOR DIRT. CLEAN PARTS AS NEEDED.

2. PERFORM THE INSPECTION INDICATED IN SECTION 13 OF THESE INSTALLATION INSTRUCTIONS.

### NOTE:

AFTER COMPLETING THE INSTALLATION, REFER TO THE OWNER'S MANUAL FOR INSTRUCTIONS ON HOW TO RESET THE CLOCK AND PRESET RADIO STATIONS, AND RECORD THE TRIP METER NUMBERS ON THE CHECK SHEET.

### CAUTION:

DISCONNECTING THE BATTERY CAUSES THE "DSC" INDICATOR LIGHT TO BECOME INOPERABLE. (AT THIS POINT, THE "DSC OFF" INDICATOR LIGHT FLASHES AND THE "TCS/DSC" INDICATOR LIGHT IS ILLUMINATED.)

TO RESTORE THE "DSC" TO AN OPERABLE CONDITION, PERFORM THE FOLLOWING PROCEDURES:

1. TURN THE IGNITION SWITCH TO THE "ON" POSITION.
  2. TURN THE STEERING WHEEL COMPLETELY TO THE RIGHT AND THEN COMPLETELY TO THE LEFT.
  3. VERIFY THAT THE "DSC OFF" INDICATOR LIGHT GOES OUT.
  4. TURN THE IGNITION SWITCH "OFF" THEN TURN IT TO THE "ON" POSITION AGAIN.
  5. VERIFY THAT THE "TCS/DSC" INDICATOR LIGHT GOES OUT.
- IF THE "TCS/DSC" INDICATOR LIGHTS DO NOT GO OUT AFTER TURNING THE IGNITION SWITCH TO THE "ON" POSITION, CONSULT YOUR MAZDA DEALER.

WHEN THE BATTERY IS DISCONNECTED, THE WINDOWS MAY NOT OPEN AND CLOSE AUTOMATICALLY.

1. TURN THE IGNITION SWITCH TO THE "ON" POSITION.
2. PRESS THE SWITCH AND FULLY OPEN THE WINDOW.
3. PULL UP THE SWITCH AND CONTINUE HOLDING FOR ABOUT 2 SECONDS TO FULLY CLOSE THE WINDOW.
4. IF THE FUNCTION DOES NOT OPERATE EVEN AFTER THE IGNITION SWITCH IS TURNED OFF, CONTACT AN AUTHORIZED MAZDA DEALER.

**INSPECTION**

**INSPECT THE INSTALLED / REINSTALLED PARTS FOR THE FOLLOWING ITEMS.  
SOME INSPECTION PARTS MAY DIFFER.**

Inspection Parts	Inspection Items (O)				Operation Check
	Clearance / Fit	Scratches / Dirt / Harness Interference	Installation / Tightening / Engagement		
DRIVER AND PASSENGER SIDE SUNVISOR	<input type="checkbox"/>	<input type="checkbox"/>	<input type="checkbox"/>	<input type="checkbox"/>	<input type="checkbox"/>
FRONT MAP LIGHT	<input type="checkbox"/>	<input type="checkbox"/>	<input type="checkbox"/>	<input type="checkbox"/>	<input type="checkbox"/>
DRIVER SIDE AND PASSENGER SIDE A-PILLAR TRIM	<input type="checkbox"/>	<input type="checkbox"/>	<input type="checkbox"/>	<input type="checkbox"/>	
DRIVER SIDE AND PASSENGER SIDE A-PILLAR TRIM CLIP A AND GROMMET "B" REPLACED			<input type="checkbox"/>		
GLOVE COMPARTMENT LID	<input type="checkbox"/>	<input type="checkbox"/>	<input type="checkbox"/>	<input type="checkbox"/>	<input type="checkbox"/>
PASSENGER SIDE PANEL	<input type="checkbox"/>	<input type="checkbox"/>	<input type="checkbox"/>	<input type="checkbox"/>	
FRONT CONSOLE	<input type="checkbox"/>	<input type="checkbox"/>	<input type="checkbox"/>	<input type="checkbox"/>	
DRIVER AND PASSENGER CENTER CONSOLE SIDE WALL PANELS	<input type="checkbox"/>	<input type="checkbox"/>	<input type="checkbox"/>	<input type="checkbox"/>	
CENTER CONSOLE	<input type="checkbox"/>	<input type="checkbox"/>	<input type="checkbox"/>	<input type="checkbox"/>	
FRONT CONSOLE PLATE	<input type="checkbox"/>	<input type="checkbox"/>	<input type="checkbox"/>	<input type="checkbox"/>	
FRONT DRIVER AND PASSENGER SIDE SCUFF PLATES (INNER)	<input type="checkbox"/>	<input type="checkbox"/>	<input type="checkbox"/>	<input type="checkbox"/>	
DRIVER AND PASSENGER SIDE FRONT AND REAR ASSIST HANDLES	<input type="checkbox"/>	<input type="checkbox"/>	<input type="checkbox"/>	<input type="checkbox"/>	<input type="checkbox"/>
REAR DRIVER AND PASSENGER SIDE DOOR SCUFF PLATES	<input type="checkbox"/>	<input type="checkbox"/>	<input type="checkbox"/>	<input type="checkbox"/>	
DRIVER AND PASSENGER SIDE B-PILLAR LOWER TRIMS	<input type="checkbox"/>	<input type="checkbox"/>	<input type="checkbox"/>	<input type="checkbox"/>	
DRIVER AND PASSENGER SIDE B-PILLAR SEAT BELT ADJUSTER ANCHORS	<input type="checkbox"/>	<input type="checkbox"/>	<input type="checkbox"/>	<input type="checkbox"/>	<input type="checkbox"/>
DRIVER AND PASSENGER SIDE B-PILLAR UPPER TRIM	<input type="checkbox"/>	<input type="checkbox"/>	<input type="checkbox"/>	<input type="checkbox"/>	
POWER AUTO WINDOW FEATURE				<input type="checkbox"/>	<input type="checkbox"/>
AUX INPUT					<input type="checkbox"/>
CIGARETTE LIGHTER					<input type="checkbox"/>

O: APPLICABLE.

NOTE: INSPECTIONS ARE CONTINUED ON THE NEXT PAGE.

THE TERM OF VALIDITY FOR THIS SHEET: 3 MONTHS

**IMPORTANT CHECK ITEMS.**  
 . INSPECT THE INSTALLED / REINSTALLED PARTS FOR THE FOLLOWING ITEMS

Page No.	Part name	Tightening torque	Check & write the tightening torque	Person in charge
	BOLT	38.3 – 78.4 N-m (3.9 – 8 Kg-m 28.3 – 57.8 FT-LBS)		
	M6 SCREW	4.6 +/- 0.10 N-m		
	#4 X 5/16 SELF TAPPING SCREW	0.28 n-m +/- 0.10 N-m		
	#4 X 7/16 SELF TAPPING SCREW	0.28 n-m +/- 0.10 N-m		
	SCREW ISO 3 X 8MM	0.28 n-m +/- 0.10 N-m		
	SCREWS M5 X 20MM	2.3 +/- 0.20 N-m		

. RESET ALL RADIO / SATELLITE PRESETS

AM (Up To 6 Channels)

1.	2	3	4	5	6
----	---	---	---	---	---

FM (Up To 12 Channels)

1.	2.	3.	4.	5.	6.
7.	8.	9.	10.	11.	12.

SAT (Up To 18 Channels)

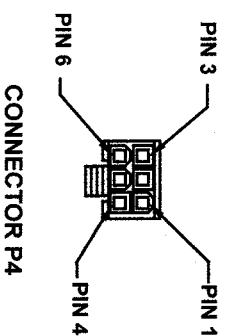
1.	2.	3.	4.	5.	6.
7.	8.	9.	10.	11.	12.
13.	14.	15.	16.	17.	18.

Date.				
Vehicle.				
VIN.				
Approved	Checked	Person in charge		

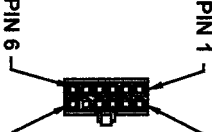
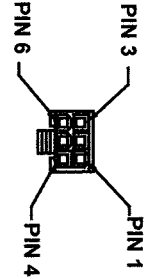
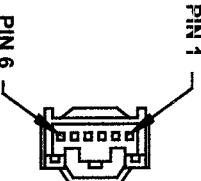
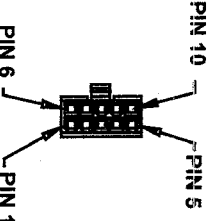
THE TERM OF VALIDITY FOR THIS SHEET: 3 MONTHS

## TROUBLESHOOTING GUIDE

SYMPTOM	PROBABLE CAUSE	FIX
SYSTEM WILL NOT OPERATE.	SYSTEM NOT RECEIVING POWER.	CHECK THE BLUE/BLACK WIRE AT THE CIGARETTE LIGHTER FOR +12VDC WITH THE IGNITION IN THE ACC POSITION.
SYSTEM NOT RECEIVING GROUND.	SYSTEM NOT RECEIVING GROUND.	CHECK THE BLACK WIRE AT THE CIGARETTE LIGHTER FOR GOOD GROUND CONNECTION.
DVD UNIT DEFECTIVE.	DVD UNIT DEFECTIVE.	REPLACE DVD UNIT.
DOME LIGHTS WILL NOT OPERATE IN ANY MODE.	DOME LIGHTS NOT RECEIVING POWER.	CHECK THE RED WIRE AT DOME LIGHT CONNECTION FOR +12VDC.
DOME LIGHTS NOT RECEIVING GROUND.	DOME LIGHTS NOT RECEIVING GROUND.	CHECK THE BLUE WIRE AT DOME LIGHT CONNECTOR FOR GOOD GROUND CONNECTION.
DOME LIGHTS DO NOT OPERATE WHEN THE INTERIOR LIGHTS ARE ON.	FAULTY YELLOW WIRE CONNECTION.	CHECK THE YELLOW WIRE DOME LIGHT CONNECTION FOR GROUND WHEN THE VEHICLE COURTESY LIGHTS ON.
ONE OR MORE DVD DOME LIGHTS DO NOT ILLUMINATE.	FAULTY BULB(S).	REPLACE THE BULB(S).
DVD AUDIO IS NOT HEARD ON THE VEHICLE AUDIO SYSTEM.	VEHICLE HEAD UNIT IS NOT IN AUX MODE. AN EXTERNAL DEVICE IS CONNECTED TO THE VEHICLE AUX INPUT. AUDIO T-HARNESS NOT CONNECTED PROPERLY. DVD MAIN HARNESS NOT CONNECTED.	PRESS THE AUX BUTTON ON THE RADIO. DISCONNECT THE EXTERNAL DEVICE FROM THE VEHICLE AUX INPUT. VERIFY ALL AUDIO T-HARNESS CONNECTIONS TO THE INTERFACE RELAY, VEHICLE AUX JACK CONNECTOR AND VEHICLE AUDIO HARNESS. VERIFY THAT THE DVD MAIN HARNESS 6-PIN CONNECTOR IS CONNECTED TO THE AUDIO INTERFACE RELAY.
AUDIO INTERFACE RELAY NOT RECEIVING POWER.	AUDIO INTERFACE RELAY NOT RECEIVING POWER.	CHECK FOR +12VDC AND GROUND BETWEEN PINS 1 AND 4 ON THE 6-PIN CONNECTOR P4 ON THE DVD MAIN HARNESS.

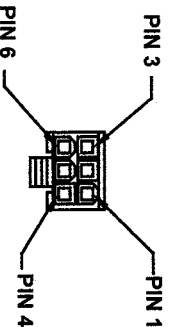
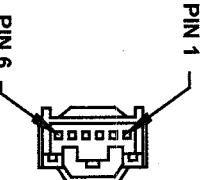
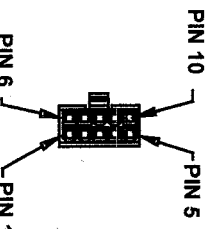
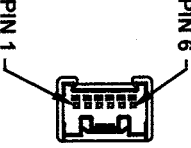
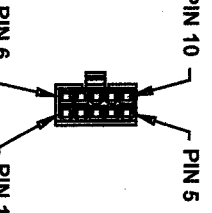


# TROUBLESHOOTING GUIDE (cont)

SYMPTOM	PROBABLE CAUSE	FIX																				
<p>DVD AUDIO IS NOT HEARD ON THE VEHICLE AUDIO SYSTEM. (CONTINUED)</p>	<p>AUDIO INTERFACE RELAY NOT RECEIVING AUDIO FROM DVD UNIT.</p> <p>AUDIO T-HARNNESS NOT OUTPUTTING AUDIO TO THE RADIO.</p>	<p>CHECK FOR CONTINUITY BETWEEN THE FOLLOWING CONNECTORS AND PINS ON THE DVD MAIN HARNESS.</p> <table border="1" data-bbox="1606 966 1774 1453"> <tr> <td>Connector P1</td> <td>Connector P4</td> </tr> <tr> <td>Pin 5</td> <td>Pin 5</td> </tr> <tr> <td>Pin 4</td> <td>Pin 3</td> </tr> <tr> <td>Pin 11</td> <td>Pin 4</td> </tr> </table>   <p>CONNECTOR P1      CONNECTOR P4</p> <p>CHECK FOR CONTINUITY BETWEEN THE FOLLOWING CONNECTORS AND PINS ON THE AUDIO T-HARNNESS.</p> <table border="1" data-bbox="955 966 1207 1494"> <tr> <td>Connector J1</td> <td>Connector P2</td> </tr> <tr> <td>Pin 2</td> <td>Pin 6</td> </tr> <tr> <td>Pin 3</td> <td>Pin 7</td> </tr> <tr> <td>Pin 4</td> <td>Pin 8</td> </tr> <tr> <td>Pin 5</td> <td>Pin 9</td> </tr> <tr> <td>Pin 6</td> <td>Pin 10</td> </tr> </table>   <p>CONNECTOR P1      CONNECTOR P2</p> <p>REPLACE AUDIO INTERFACE RELAY.</p> <p>REPLACE DVD UNIT.</p> <p>PRESS THE AUX BUTTON ON THE VEHICLE RADIO.</p> <p>VERIFY ALL AUDIO T-HARNNESS CONNECTIONS TO THE INTERFACE RELAY, VEHICLE AUX JACK CONNECTOR AND VEHICLE AUDIO HARNESS.</p> <p>VERIFY THAT THE DVD MAIN HARNESS 6-PIN CONNECTOR IS CONNECTED TO THE AUDIO INTERFACE RELAY.</p>	Connector P1	Connector P4	Pin 5	Pin 5	Pin 4	Pin 3	Pin 11	Pin 4	Connector J1	Connector P2	Pin 2	Pin 6	Pin 3	Pin 7	Pin 4	Pin 8	Pin 5	Pin 9	Pin 6	Pin 10
Connector P1	Connector P4																					
Pin 5	Pin 5																					
Pin 4	Pin 3																					
Pin 11	Pin 4																					
Connector J1	Connector P2																					
Pin 2	Pin 6																					
Pin 3	Pin 7																					
Pin 4	Pin 8																					
Pin 5	Pin 9																					
Pin 6	Pin 10																					
<p>AUDIO FROM AN EXTERNAL DEVICE IS NOT HEARD ON THE VEHICLE AUDIO SYSTEM.</p>	<p>AUDIO INTERFACE RELAY IS DEFECTIVE.</p> <p>DVD UNIT IS DEFECTIVE.</p> <p>VEHICLE RADIO NOT IN AUX MODE.</p> <p>AUDIO T-HARNNESS NOT CONNECTED PROPERLY.</p> <p>DVD MAIN HARNESS NOT CONNECTED.</p>																					



# TROUBLESHOOTING GUIDE (cont)

SYMPTOM	PROBABLE CAUSE	FIX																								
<p>AUDIO FROM AN EXTERNAL DEVICE IS NOT HEARD ON THE VEHICLE AUDIO SYSTEM. (CONTINUED)</p>	<p>AUDIO INTERFACE RELAY NOT RECEIVING POWER.</p>	<p>CHECK FOR +12VDC AND GROUND BETWEEN PINS 1 AND 4 ON THE 6-PIN CONNECTOR ON THE DVD MAIN HARNESS.</p>  <p>CONNECTOR P4</p> <table border="1" data-bbox="1207 966 1459 1494"> <thead> <tr> <th>Connector P1</th> <th>Connector P2</th> </tr> </thead> <tbody> <tr> <td>Pin 2</td> <td>Pin 1</td> </tr> <tr> <td>Pin 3</td> <td>Pin 2</td> </tr> <tr> <td>Pin 4</td> <td>Pin 3</td> </tr> <tr> <td>Pin 5</td> <td>Pin 4</td> </tr> <tr> <td>Pin 6</td> <td>Pin 5</td> </tr> </tbody> </table> <p>CHECK FOR CONTINUITY BETWEEN THE FOLLOWING CONNECTORS AND PINS ON THE AUDIO T-HARNESS.</p>   <p>CONNECTOR P1      CONNECTOR P2</p> <table border="1" data-bbox="577 966 829 1494"> <thead> <tr> <th>Connector J1</th> <th>Connector P2</th> </tr> </thead> <tbody> <tr> <td>Pin 2</td> <td>Pin 6</td> </tr> <tr> <td>Pin 3</td> <td>Pin 7</td> </tr> <tr> <td>Pin 4</td> <td>Pin 8</td> </tr> <tr> <td>Pin 5</td> <td>Pin 9</td> </tr> <tr> <td>Pin 6</td> <td>Pin 10</td> </tr> </tbody> </table> <p>CHECK FOR CONTINUITY BETWEEN THE FOLLOWING CONNECTORS AND PINS ON THE AUDIO T-HARNESS.</p>   <p>CONNECTOR J1      CONNECTOR P2</p> <p>REPLACE AUDIO INTERFACE RELAY. REPLACE DVD UNIT.</p>	Connector P1	Connector P2	Pin 2	Pin 1	Pin 3	Pin 2	Pin 4	Pin 3	Pin 5	Pin 4	Pin 6	Pin 5	Connector J1	Connector P2	Pin 2	Pin 6	Pin 3	Pin 7	Pin 4	Pin 8	Pin 5	Pin 9	Pin 6	Pin 10
Connector P1	Connector P2																									
Pin 2	Pin 1																									
Pin 3	Pin 2																									
Pin 4	Pin 3																									
Pin 5	Pin 4																									
Pin 6	Pin 5																									
Connector J1	Connector P2																									
Pin 2	Pin 6																									
Pin 3	Pin 7																									
Pin 4	Pin 8																									
Pin 5	Pin 9																									
Pin 6	Pin 10																									
<p>AUDIO T-HARNESS NOT OUTPUTTING AUDIO TO THE RADIO.</p>	<p>AUDIO INTERFACE RELAY IS DEFECTIVE. DVD UNIT IS DEFECTIVE.</p>																									